



LT0420

Level Transducer



UNDATEC Flow measurements

Frank Stark - Wiesenstrasse 23 - D-75248 Oelbronn-Duerrn / Germany - Telefon +49 (0) 7237-7804
Email: undatec@web.de

FCC & CE standards

Directive 2014/30 / EU
DIN EN 61000-6-2: 2006-03
DIN EN 61000-6-4: 2007-09

[Errors, mistakes, changes and technical improvements can change this data!](#)

Description

LT0420 level sensor has the special structure and applications It has high accuracy, small volume, stability, plus resistance to abrasion, oil, acid & alkali and high intensity gas lead cable ensured that it can meet the different occasions measurement requirements. It is widely used in sewage, river and lakes treatment as well as channel, large rivers, I reservoirs and coastline monitoring.

This product has got intrinsic safety certification, explosion proof certification and CE certification.

Feature

Pressure range: 0~1m...200m (H2O)
Accuracy 3 Types available: $\pm 0.1\%$ FS or $\pm 0.25\%$ FS or $\pm 0.5\%$ FS
Flexible submersible measurement
No-polarity two wire current output
Explosion proof certification
CE certification

Applications


Deep well level measurement
Hydraulic monitoring in rivers and sea
Sewage treatment
Muddy liquid level measurement
Liquid reservoir level measurement
Water savings irrigation
Water diversion projects

Attention ! Never wrinkle the sensor cable, otherwise the internal air tube for atmospheric pressure compensation of the height sensor can be damaged !

UNDATEC Flow measurements

Frank Stark - Wiesenstrasse 23 - D-75248 Oelbronn-Duerrn / Germany - Telefon +49 (0) 7237-7804
Email: undatec@web.de

This products has got intrinsic safety certification, explosion proof certification and CE certification.

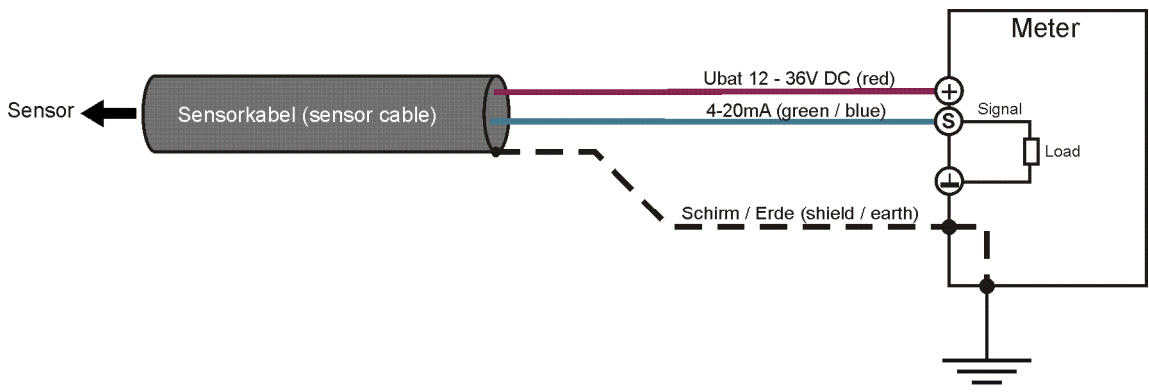
Explosion proof certification - Marking  Ex ia IIC CT6 GA

Technical Specifications

test condition of data:25°C (77°F)

Pressure range	0~0.5m.....200m		
Over pressure	150%FS		
Burst pressure	300%FS		
Output signal	2 Draht	3 Draht	4 Draht
	4~20mA	0~10V	0,5~4.5V
Power supply	12~36VDC	12V	5V
Accuracy	±0.5%FS	±0.25%FS	±0.1%FS
Long-term stability	≤0.3%FS/Jahr		
Temp.coefficient of zero	±0.02%FS/°C(typ.)		
Temp.coefficient of span	±0.02%FS/°C(typ.)		
Compensated temperature range	-10~+70 °C		
Operating temperature range	-40~+85 °C		
Storage temperature range	-40~+85 °C		
Insulating resistance	≥100MΩ@250Vdc		
Load resistance	$R \leq (U-10)/0.02$ (for 4/20mA)		
Electrical interface	waterproof outlet		
Pressure interface	submersible type		
Material of pressure membrane	stainless steel 316L		
Material of housing	stainless steel 316L		
Response time(10%~90%)	≤10ms		
Shock/impact	10gRMS,(20~2000)Hz / 100g,11ms		
Protection	IP68		
EMC	EMI:EN50081-1/-2, EMS:EN50082-2		
Certification	Explosion proof certification, CE certification.		

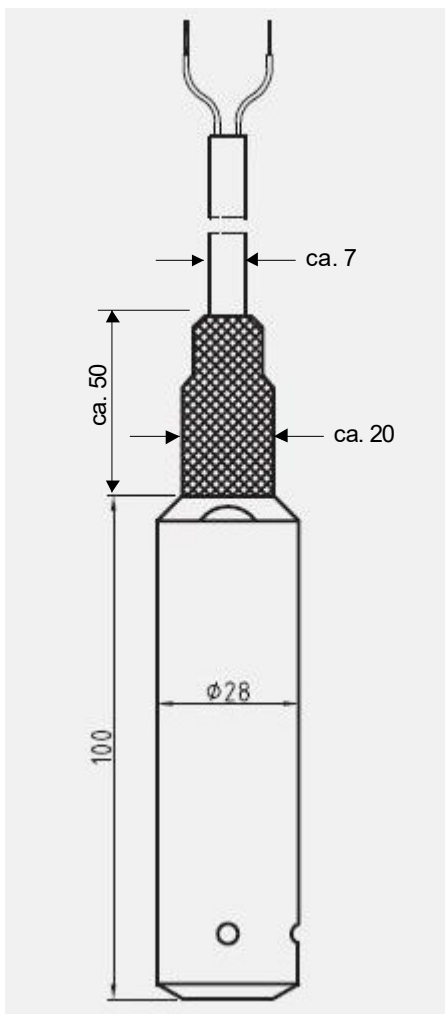
Sensor connection



UNDATEC Flow measurements

Frank Stark - Wiesenstrasse 23 - D-75248 Oelbronn-Duerrn / Germany - Telefon +49 (0) 7237-7804
 Email: undatec@web.de

Dimensions



LT0420

Order code

LT0420 Pressure Range - Example 0,5m, 1m, 2m, 4m 200m
cable length 5m, 10m 200m

UNDATEC Flow measurements

Frank Stark - Wiesenstrasse 23 - D-75248 Oelbronn-Duerrn / Germany - Telefon +49 (0) 7237-7804
Email: undatec@web.de